

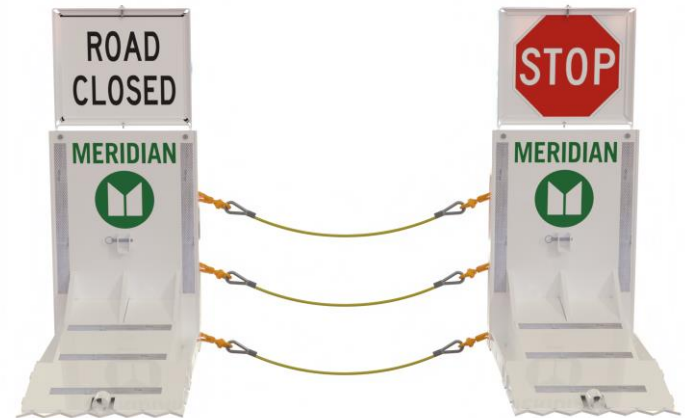
Archer Arrestor Cable



The Arrestor Cable increases the stopping power of the Archer 1200 Barrier.



- Enhanced perimeter security with pedestrian access
- Easily attached and detached with self-locking clips



- Allows for pedestrian traffic control
- Easily limit access to secure areas
- High visibility vinyl coating

WE OFFER RENTAL AND PURCHASING OPTIONS! GIVE US A CALL TO DISCUSS YOUR NEEDS (434) 529-6903



Archer Arrestor Cable Specifications

- The Meridian Archer Arrestor Cables use technology from aircraft carriers to absorb the kinetic energy of a moving vehicle and pull the barriers into play for vehicle mitigation without loss of life.
- They are attached to barriers in 4 ft. segments and can be up to three ply across strung between two barriers.
- The arrestor cable is manufactured using only the highest grade extra improved plow steel and vinyl coated in neon yellow that aids in visibility as well as abrasion protection and flexibility.
- Each wire rope cable is attached to the barriers by two G-100 Swivel self-locking hooks. The self-locking hooks each have a working load limit of 5700 pounds and can swivel during load.



Arrestor Cable Specifications

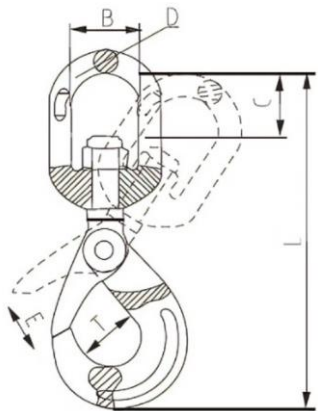
- Length- 48 in.
- Width- 4 in.
- Height- 2 in.
- Weight- 11 lbs.

Wire Rope Cable Specifications

- Construction- 6x19 IWRC
- Nominal Diameter- 0.625 in & 0.375 in.
- Finish- Galvanized
- Lay Direction- RHRL
- Specification- ASTM A 1023 or RR-W410
- Grade of Steel Used- EIPS
- Min. Breaking Strength- 24,004 lbs.

Wire Rope Cable Chemical Composition

- C: 0.69-0.73%
- Si: 0.200-0.024%
- S: Max 0.025%
- P: Max 0.025%
- Mn: 0.54-0.64%
- P: Max 0.025%
- Mn: 0.54-0.64%



G-100 Swivel Hook Specifications

- Weight- 2.6 lbs.
- Quenched and tempered alloy steel
- EN 1677-3 & ASME B30.26, PAS1061
- Full swivel under load
- Federal Specification RR-C-271G Type IVA, Grade A, Class 2

G-100 Specifications Dimensions

- B- 1.42 in.
- C- 1.44 in.
- D- 0.51 in.
- T- 1.35 in.
- L- 7.35 in.
- E- 1.28 in.

Scan for more information

